
From: Patrycja Was <patrycja.was@rssa.co.uk>
Sent: 20 January 2020 14:50
To: Sukhi Dhadwar
Cc: David Tucker
Subject: RSS790/North Wilmore Barn, High Laver
Attachments: C.13.01_B.pdf; C.14.01_A.pdf; C.14.02_A.pdf

CAUTION: This Message originated outside of Epping Forest District Council. Do not click links or open attachments unless you recognise the sender and know the contents is safe.

Dear Sukhi,

Thank you for your time on the phone today. As discussed please see attached drawings showing the basement wholly below natural ground level.

The Planning Portal reference number for this proposal is: PP-08092892

Best regards,
Patrycja Wąs
Architectural Assistant

rivingtonstreetstudio

28 Navigation Road
London
E3 3TG

Telephone: 020 7739 8945
Direct dial: 020 3897 6983
www.rivingtonstreetstudio.co.uk

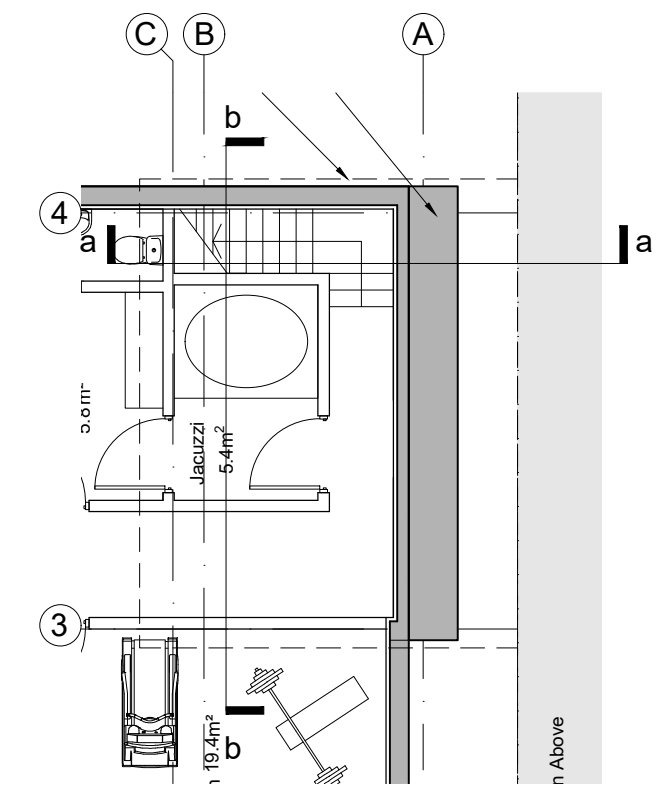
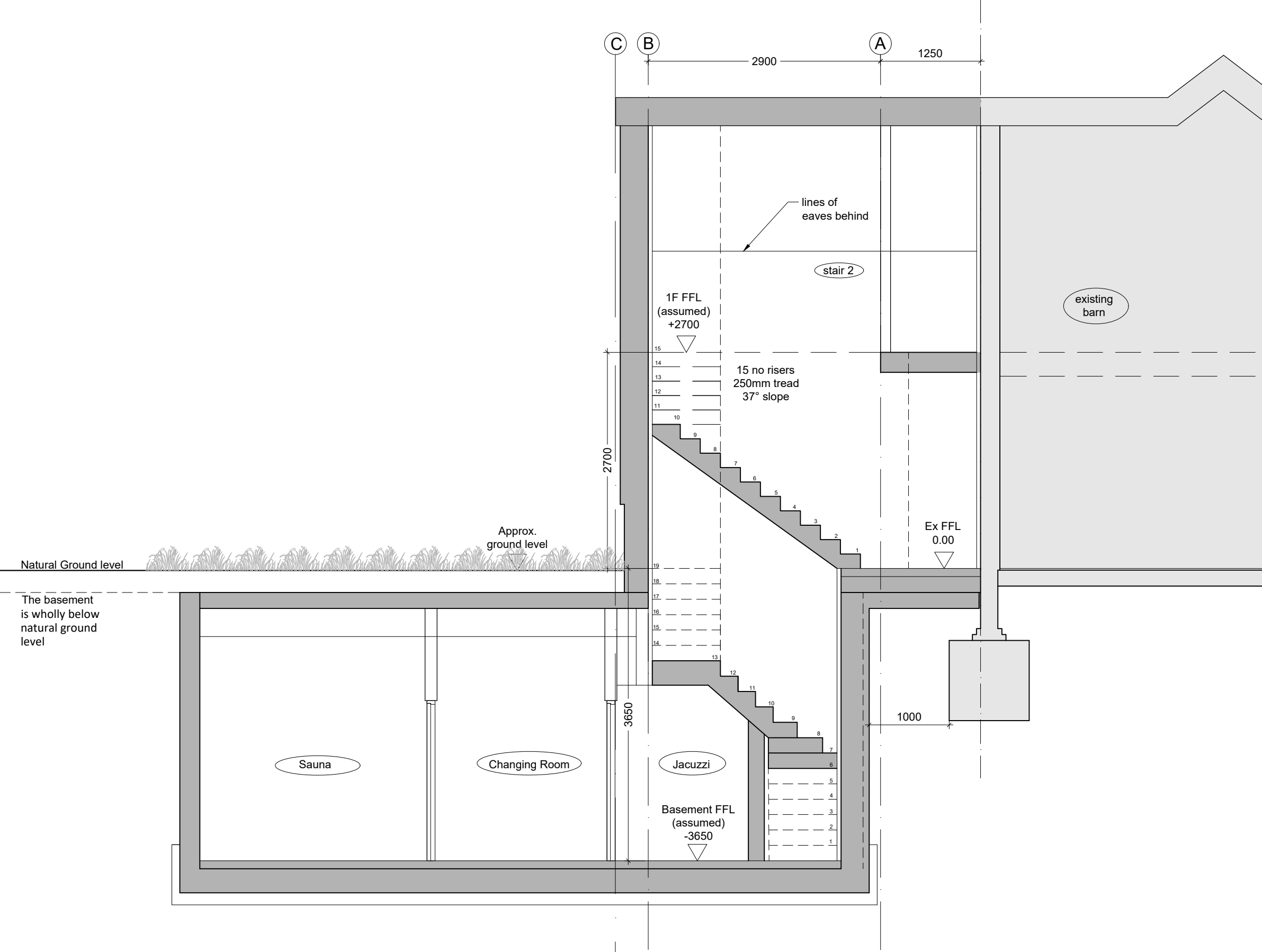
Rivington Street Studio is the trading name of Rivington Street Studio Ltd. Registered in England and Wales company No 5379467. The information contained in this message is confidential and may be legally privileged. The message is intended solely for the addressee(s). If you are not the intended recipient, you are hereby notified that any use, dissemination, or reproduction is strictly prohibited and may be unlawful. If you are not the intended recipient, please contact the sender by return email and destroy all copies of the original message.

[Our Privacy Policy](#)

Think before you print!



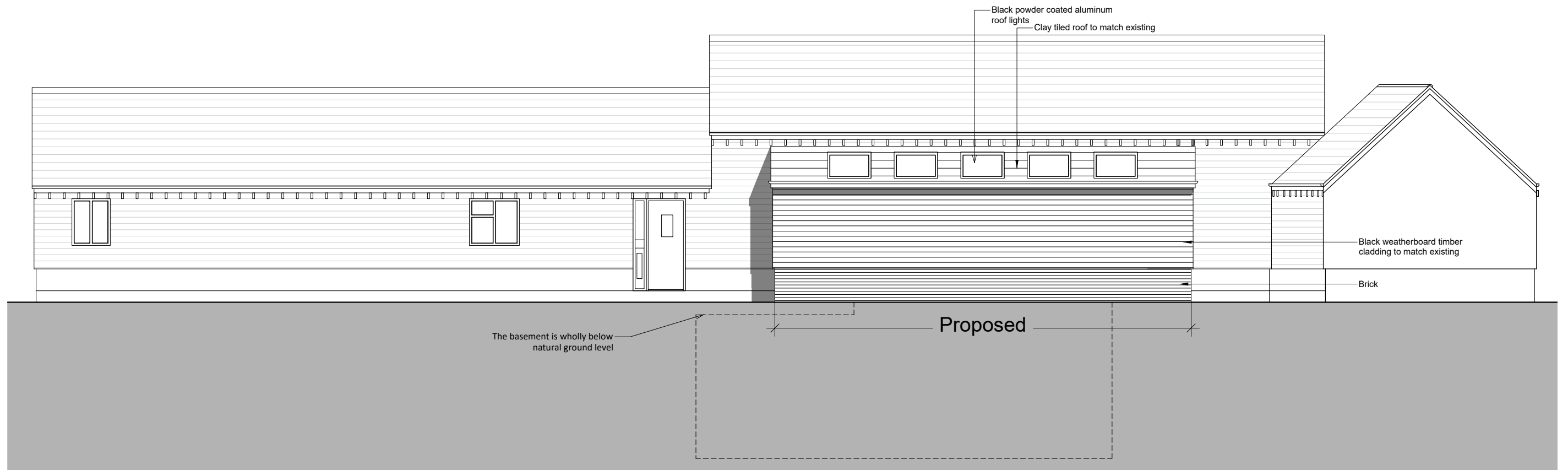
Follow us on Instagram



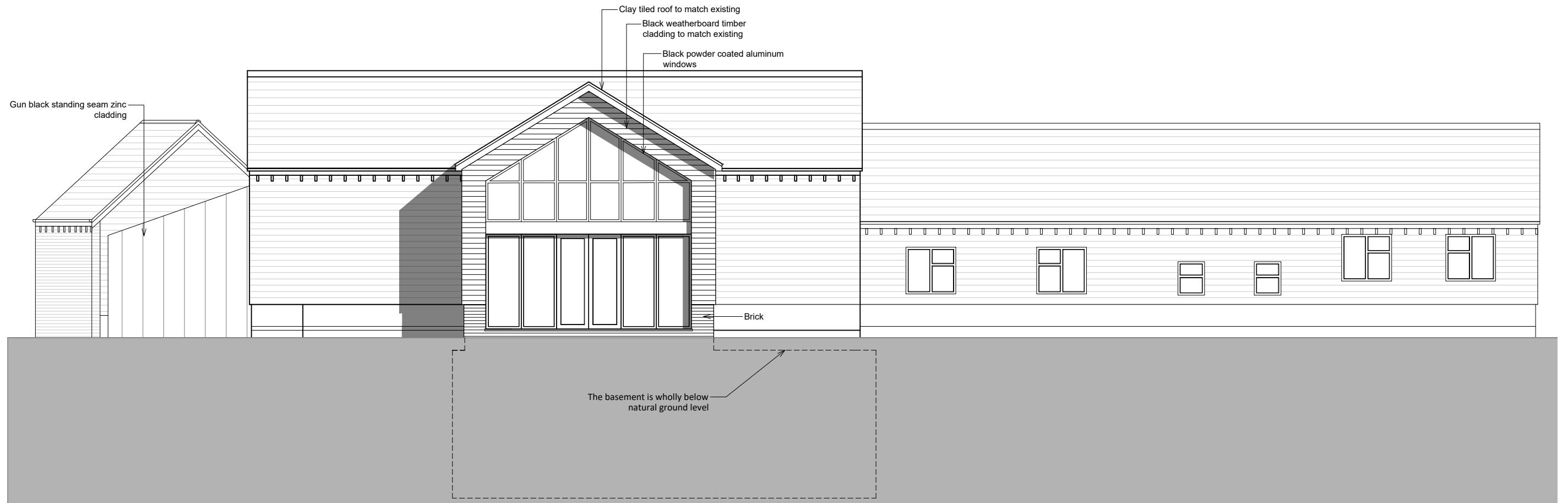
- Note:
- structural and services locations TBC
 - Floor levels assumed

section a:a 1:50 @A3

NOTES			REVISIONS			28 NAVIGATION ROAD LONDON E3 3TG T: 020 7739 8945 rss@rssa.co.uk www.rivingtonstreetstudio.co.uk		rivingtonstreetstudio	
1.	cad info : file: 790 - Sec	layout name: C.13.01 plot style: RSS standard A3	rev	date	description	job title	North Wilmore Barn, High Laver	drawing title	Sections A-A
2.	This drawing is not to be scaled. Use figured dimensions only. Detailed site survey to be carried out to establish tolerances. Figured dimensions are in mm. All dimensions shall be verified on site before proceeding with the work. The architect shall be notified of any discrepancies.		-	xx.09.17	First Issue for comment and information	drawn by	SJ	job no	790
3.	This drawing has been produced for sole use on this project and is not intended for use by any other person or for any other purpose. © Copyright RSS (U.K.)		A	29.07.19	Updated after pre-app meeting.	date	Sep 2017	scale	1:50@A3
4.			B	30.09.19	The basement is wholly below natural ground level.	drawing no	C.13.01	revision	B



Proposed South Elevation



Proposed North Elevation

NOTES

1. cad info : file: 790 - Elevations 190930 layout name: F.14.01 plot style: RSS standard A3
2. This drawing is not to be scaled. Use figured dimensions only. Detailed site survey to be carried out to establish tolerances. Figured dimensions are in mm. All dimensions shall be verified on site before proceeding with the work. The architect shall be notified of any discrepancies.
3. This drawing has been produced for sole use on this project and is not intended for use by any other person or for any other purpose. © Copyright RSS (U.K.)
- 4.

REVISIONS

rev	date	description
-	18.07.17	Issue for planning
A	30.09.19	The basement is wholly below natural ground level.

28 NAVIGATION ROAD LONDON E3 3TG
 T: 020 7739 8945
 rss@rssa.co.uk www.rivingtonstreetstudio.co.uk

rivingtonstreetstudio

job title North Wilmore Barn, High Laver

drawing title Proposed Elevations

drawn by CG

job no 790

drawing no

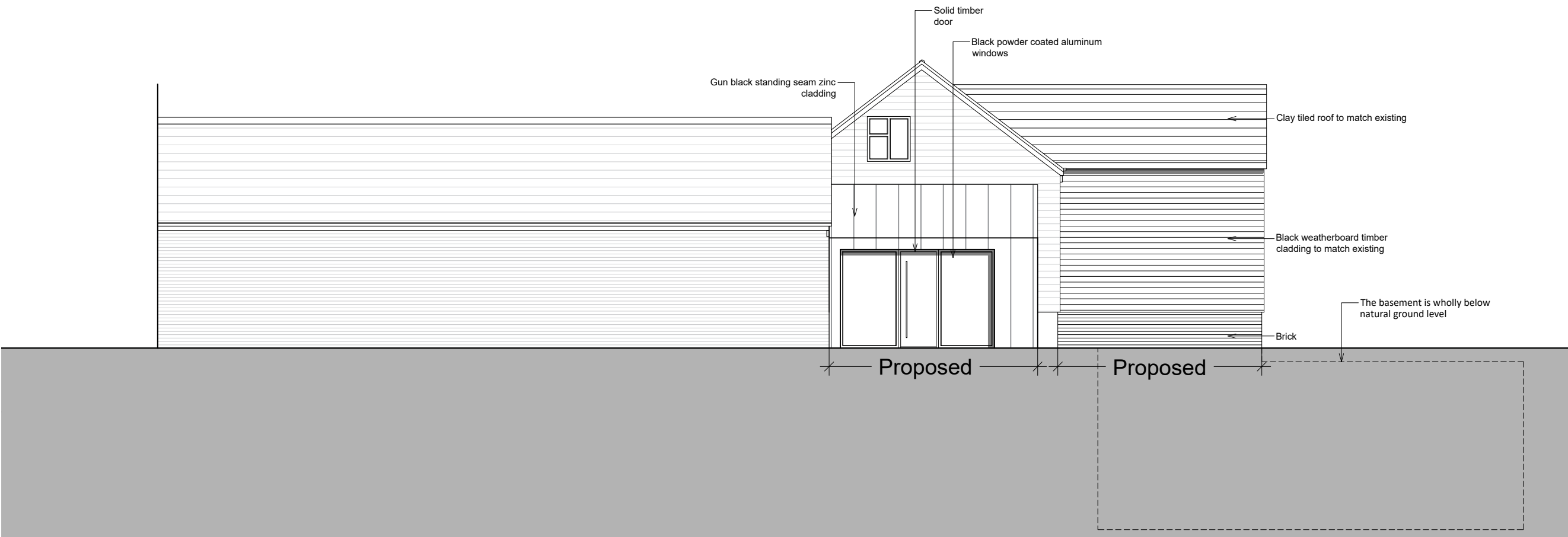
P.14.01

date Feb 2017

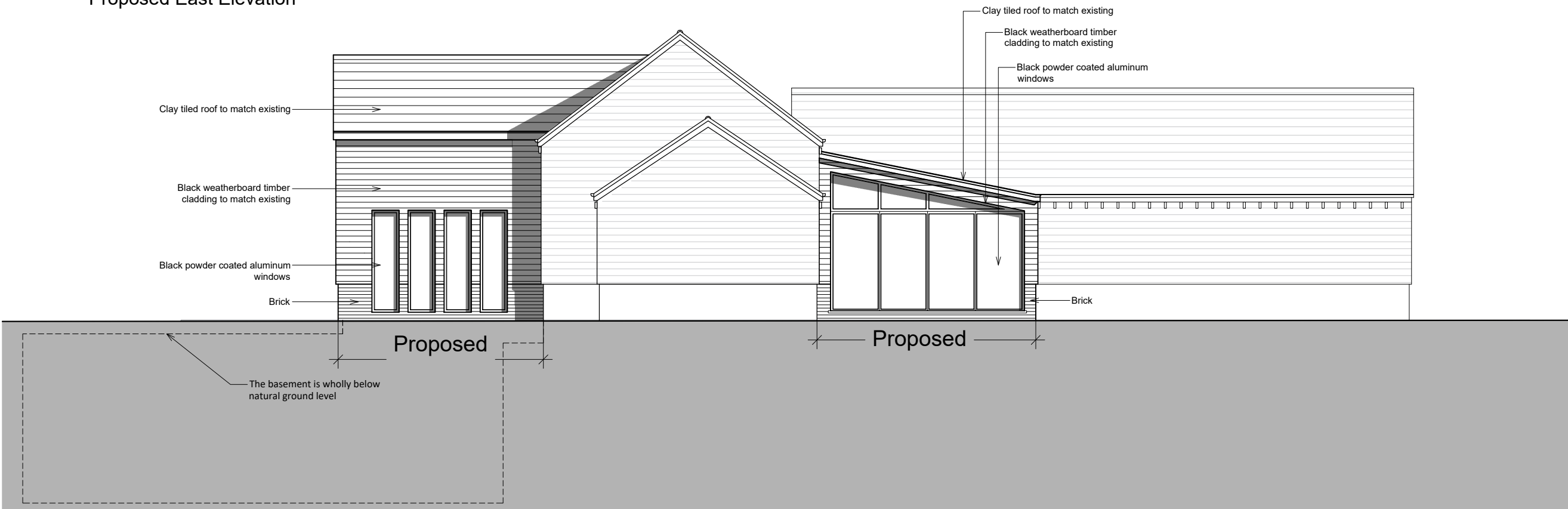
scale 1:100 @A3

revision

A



Proposed East Elevation



Proposed West Elevation

NOTES

1. cad info : file: 790 - Elevations 190930 layout name: F.14.02 plot style: RSS standard A3
2. This drawing is not to be scaled. Use figured dimensions only. Detailed site survey to be carried out to establish tolerances. Figured dimensions are in mm. All dimensions shall be verified on site before proceeding with the work. The architect shall be notified of any discrepancies.
3. This drawing has been produced for sole use on this project and is not intended for use by any other person or for any other purpose. © Copyright RSS (U.K.)
- 4.

REVISIONS

rev	date	description
-	18.07.17	Issue for planning
A	30.09.19	The basement is wholly below natural ground level.

28 NAVIGATION ROAD LONDON E3 3TG
 T: 020 7739 8945
 rss@rssa.co.uk www.rivingtonstreetstudio.co.uk

rivingtonstreetstudio

job title North Wilmore Barn, High Laver

drawing title Proposed Elevations

drawn by CG

job no 790

drawing no

P.14.02

date Feb 2017

scale 1:100 @A3

revision

A